

数据如有更改，恕不另行通知  
Design and specifications are subject to change without notice.



PSUN 瑞大广告 | 电话: 0577-85632157  
手机: 13958852157



# RUIDA

## PAPERCUP MACHINE

Working Meticulous,  
Taking Quality As The First Task  
一丝不苟, 品质至上

ZHEJIANG  
RUIDA MACHINERY CO.,LTD  
浙江瑞大机械有限公司

浙江瑞大机械有限公司  
ZHEJIANG RUIDA MACHINERY CO., LTD

地址: 浙江省瑞安市阁巷高新技术园区东三路(325207)  
Add: No. 188 Dongsan Road, Gexiang High-tech Zone, Rui'an City,  
Zhejiang Province, China



[Http://www.nan-da.com](http://www.nan-da.com)  
[Http://zhejiang-ruida.en.alibaba.com](http://zhejiang-ruida.en.alibaba.com)  
E-mail: nanda@nan-da.com





专业 / 高效 / 可靠  
Professional / Efficient / Reliable

20 余年  
公司历史

60000 平方米  
公司面积

## 公司简介 BRIEF INTRODUCTION

People-oriented, Independent Innovation,  
Excellent Quality And Sincere Services

以人为本，自主创新/卓越品质，真诚服务

Working Meticulous,  
Taking Quality As The First Task  
一丝不苟，品质至上



浙江瑞大机械有限公司，是浙江省专业生产印刷机械，纸杯、纸容器系列机械设备的厂家之一。公司面积60000多平方米，已有近20余年的历史，现已发展为集设计、制造、销售为一体的综合型股份制企业。公司技术力量雄厚，生产设备精良，并于2000年顺利通过ISO9001：2000质量管理体系认证及欧盟CE安全认证。产品畅销全国各地，并出口东南亚、欧美等国，深受用户的好评。

公司多年以来始终坚持“依靠高新技术，依靠科学管理，确保一流产品，确保用户满意”为企业发展方针，连年被市政府授予“重合同，守信用”单位，中国工商银行“AAA”级企业，科技创新企业等荣誉称号。

面对全新的挑战，瑞大机械将给你更大的自信与广阔的伸展空间让我们一起成长共铸辉煌。

Zhejiang Ruida Machinery Co.,Ltd is the manufacturer that specializes in manufacturing series of machinery equipments of printing machines, paper cups machine, die cutting machine. With a covering area of 30000m<sup>2</sup>, as well as over 20-year history of manufacture, we have developed into a composite stocking enterprise with design, manufacture, and sales with solid technical power and exquisite production equipments. Our company got the certificate of 9001:2000 quality management system, meantime we got CE certificate. Our products are sold well through out the country, exported to South East Of Asia, European and American countries, and it has got high popularity.

Our company have been persisting in the developmental principle of the enterprise for many years, to guarantee first-class products, to ensure the satisfaction, it has been awarded consecutively the titles of Honor the contract, Keep the promise, AAA Grade Enterprise of Industrial and Commercial Bank of China(ICBC), as well as Tech-Scientific Enterprise.

Facing a fully brand-new challenge, Ruida Machinery Co.,Ltd. Is willing to create mutual benefits and prosperous future with clients all over the world.



荣誉证书

# Enterprise Honor

质量第一，信誉至上，倡导企业文化  
优良的品质和良好的服务赢得顾客。使瑞大品牌成功走向全国和周边国家地区。

Taking quality as the first and reputation as the paramount to sparkplug enterprise culture.  
Depending on excellent quality and good service. Clients will be attracted and RUIDA brand will spread all over China and neighbor regions.



## 领跑者的坚持 Persistent in Leading

1999年，瑞大就开始了纸容器设备的研发与生产。  
目前，瑞大已为广大客户企业提供专业的服务。  
In 1999, we began the development and production of paper container equipment.  
At present, we have provided professional service for our customers.



一丝不苟，品质至上  
Working Meticulous, Taking Quality As The First Task



# RD-230A(SMART LINE)

High-Speed Paper Cup Forming Machine

高速卧式纸杯成型机

Http://www.nan-da.com  
Http://zhejiang-ruida.en.alibaba.com  
E-mail:nanda@nan-da.com

专业 / 高效 / 可靠  
Professional / Efficient / Reliable

## 简介 DESCRIPTION:

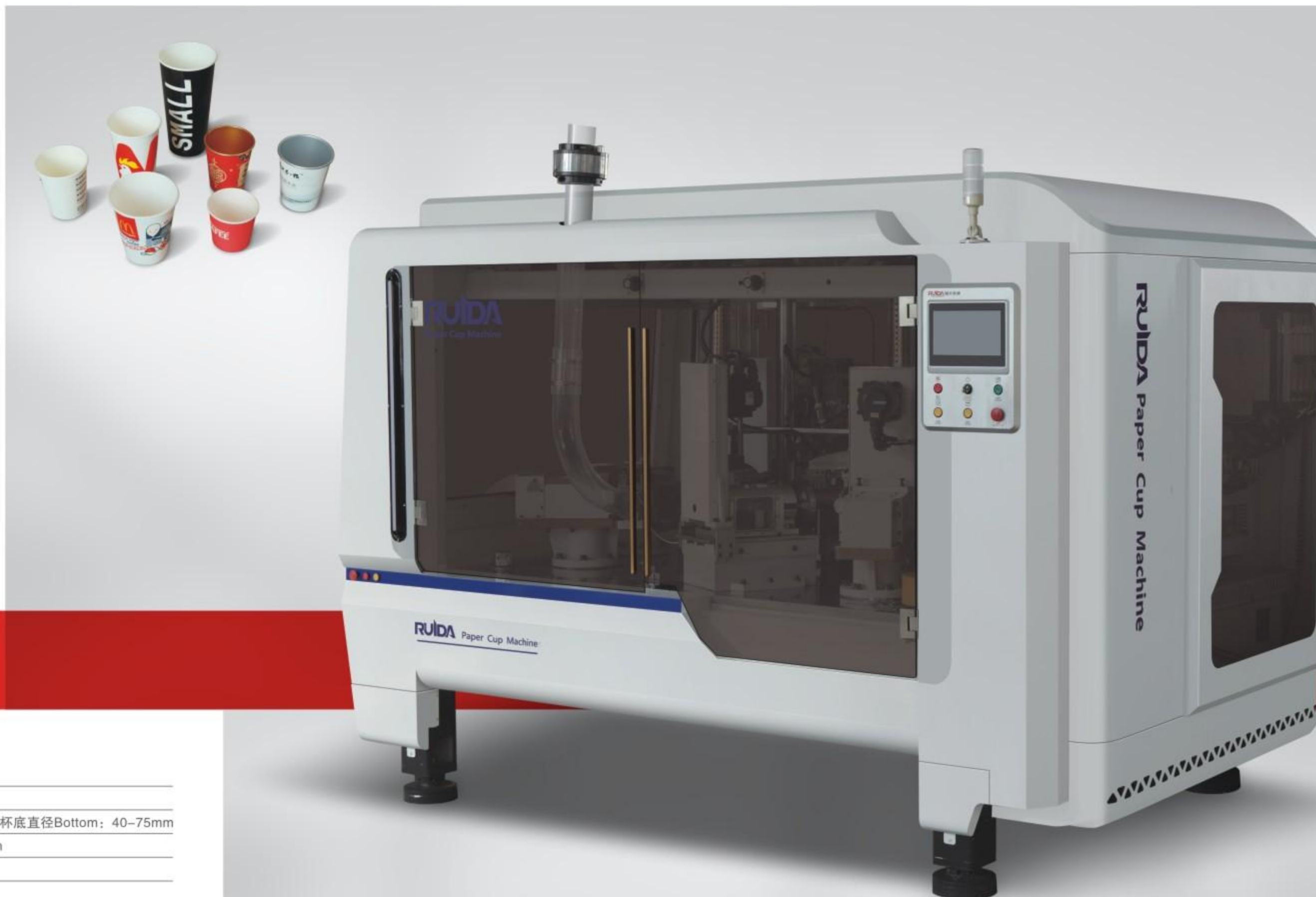
RD-230A是浙江瑞大机械有限公司全新研发的卧式高速纸杯成型机，RD-230A纸杯容器成型机提供每分钟230杯的高速生产速度。全机由PLC+伺服运动控制，全程光电跟踪监控，伺服供料控制。可以通过更换模具生产纸杯的尺寸从6盎司到22盎司不等。

RD-230A Horizontal high-speed paper cup forming machine is latest products, developed by Zhejiang Ruida Machinery Co., Ltd. The RD-230A paper cup forming machine is at speed of 230 cups per minute. The whole machine is controlled by PLC and servo, photoelectric tracking monitoring, and paper blank feeding control by servo. The machine can be produced the size of cup from 6 ounces to 22 ounces by changing molds.

RD-230A high speed paper cup machine adopts advanced horizontal structure to improve production stability and output.

## 电器配置单 Electric configuration :

配置名称	配置品牌
变频器Inverter	ABB(Switzerland)
继电器Relay	日本和泉IDEC(Japan)
光电开关Sensor	Panasonic(Japan)
伺服系统Servo	ABB(Switzerland)
折底, 滚花, 卷口伺服电机 Bottom and curling forming motor	ABB(Switzerland)
吸纸片伺服电机 Paper fan sucking motor	ABB(Switzerland)
送底纸伺服电机 Bottom paper feeding motor	ABB(Switzerland)
转塔伺服电机 Turning servo motor	ABB(Switzerland)
气动元件Pneumatic component	SMC
固态继电器Solid state relay	Autonics Korea
低压电器Low-voltage apparatus	ABB(Switzerland)



## 主要技术参数 Technical Data:

纸杯规格Cups Specifications	6-22oz盎司
纸杯成型尺寸Forming size	上口直径Top: 60-100mm, 杯底直径Bottom: 40-75mm 成型高度Height: 60-180mm
纸张规格Paper Specifications	170-350g/m <sup>2</sup> 克重
纸张材料Paper material	单/双 PE/PLA/涂层
生产速度Speed	200-230pcs/min 只/分钟
电源Power supply	380V 50Hz 三相
总功率General Power	50Kw
气源Gas source	0.6m <sup>3</sup> /min立方米
重量Weight	7500Kg



# RD-12/22-100A

Automatic High-Speed Paper Cup Machine

全自动高速纸杯机

Http://www.nan-da.com  
Http://zhejiang-ruida.en.alibaba.com  
E-mail:nanda@nan-da.com

专业 / 高效 / 可靠  
Professional / Efficient / Reliable

## 简介 DESCRIPTION:

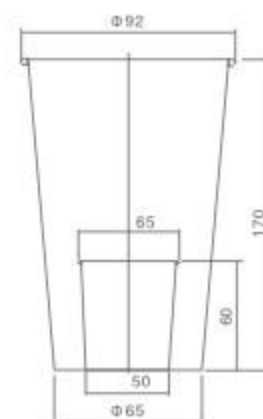
RD-12/22-100A型是由两个转盘二次完成纸杯成型，采用开放式间歇分度机构、齿轮传动、纵轴结构，从而合理分布各个功能总成。整机采用加油润滑的方式，减低了机器零件的磨损；杯壁先采用瑞士Leister加热以确保粘合稳定、杯底粘合采用瑞士Leister加热器；二次卷边，第一道旋转卷边，第二道加热定型，使纸杯成型强度提高，卷口美观，尺寸稳定。制杯过程PLC控制，采用光电眼全程故障监控，伺服送料，从而提高设备性能，达到快速平稳运行，实现了故障自动停机，最大的降低了工人劳动强度，提高了设备的安全稳定性。通过简化制杯工艺流程，送纸、粘合、送底、上杯、加热、卷底、滚花、卷口、卸杯、检测、自动计数收杯于一体，是制作纸杯的最优选择。

RD-12/22-100A high speed paper cup forming machine comes with two turnplate, open intermittent indexing cam mechanism and gear transmission, longitudinal axis structures. The whole machine adopts automatic lubrication system, which makes all mechanical parts working much more smoothly. Cup side sealing is done by Switzerland Leister Heater to ensure side sealing stability, bottom sealing by Switzerland Leister hot air device. Cup top curling has two steps, rotary curling and heating figuration, which makes the curling more stable and better appearance. The machine comes with PLC control system, sensorfailure detecting, and can stop working automatically if the machine has any problem, it can greatly improve operation safety and reducing labor cost. The machine can finish the whole process in cluding paper feeding, side sealing, cup bottom punching &feeding, heating, knurling, cup-top curling, cup Stacker. It is the best choice for making paper cups.



## 主要技术参数 Technical Data:

纸杯规格(Cups Specifications)	4-16盎司(Ounce) 16-22盎司(Ounce)
纸杯材料(Cups material)	单双面PE淋膜纸(任意一种都可以) Single or double PE Coated Paper
纸张规格(Paper Specifications)	190-380g/m <sup>2</sup>
生产速度(Speed)	120-160 pcs/min
电源(Electricity Supply)	380V/220V 50Hz
总功率(General Power)	10Kw
气源(Gas source)	0.4m <sup>3</sup> /min
重量(Weight)	3000Kg
包装尺寸(Packing Dimensions)	2750x1720x1800mm





# RD-12/22-100B

PLC Control Paper Cup/Bowl Forming Machine With Automatic Lubrication System  
B型中速纸杯/碗成型机

Http://www.nan-da.com  
Http://zhejiang-ruida.en.alibaba.com  
E-mail:nanda@nan-da.com

**专业 / 高效 / 可靠**  
Professional / Efficient / Reliable



## 简介 DESCRIPTION:

RD-12/22-100B型全自动高速纸杯/碗成型机是我公司在多年纸杯/碗机械只要经验的基础上结合国外高速纸杯/碗机械研发的全新机型，是国内首创专利设备。它通过将杯/碗底、杯/碗口采用不同转盘加工的方式将原三转盘机型简化为两转盘，有效降低了机器的工件行程，使机器在高速时的工作稳定、产品质量好、正品率高，特别适合制作高杯/碗，整机自动加油润滑系统无链条传动是制作制备的首选机型，同时也是现有三转盘机型理想的升级换代产品。

RD-12/22-100B high speed paper cup/bowl forming machine comes with two turnplate, open intermittent indexing cam mechanism and gear transmission, longitudinal axis structures. The machine comes with PLC control system, sensor failure detecting, and can stop working automatically if the machine has any problem, it can greatly improve operation safety and reducing labor cost. The machine can finish the whole process including paper feeding, side sealing, cup/bowl bottom punching & feeding, heating, knurling, cup/bowl-top curling, cup/bowl stacker. It is the best choice for making paper cup/bowls.



## 主要技术参数 Technical Data:

机型 Model	纸杯 Paper cup	纸碗 Paper bowl
规格 Specification	2.5-22 OZ	24-40 OZ
纸杯材料 Paper material	190-500g/m <sup>2</sup>	190-500g/m <sup>2</sup>
生产能力 Speed	80-100 pcs/min	80-90 pcs/min
电源总功率 Total power	380V 50Hz 10Kw	380V 50Hz 12Kw
气源 Air consumption	0.4m <sup>3</sup> /min	0.5m <sup>3</sup> /min
重量 Weight	3500kg	4000 Kg
包装尺寸 Packing Dimensions	2720x1660x1900 mm	2900*1860*2000mm



# RD-XLF116W

High-Speed Paper Bowl Forming Machine

高速纸碗成型机

Http://www.nan-da.com  
Http://zhejiang-ruida.en.alibaba.com  
E-mail:nanda@nan-da.com



## 简介 DESCRIPTION:

RD-XLF116W 高速纸碗成型机是采用伺服控制自动旋转吸纸机构，纵轴传动结构，桶式圆柱分度机构和齿轮传动，自动喷雾润滑，双卷边机构。可选配视觉检测系统，从上方检测杯（碗）卷口和内部区域的污点、昆虫、卷口爆口、起皱。

RD-XLF116w 可以通过更换模具生产纸杯的尺寸从24盎司到46盎司纸碗。适用于生产市场碗，泡面碗，汤碗等。

RD-XLF116W high-speed paper bowl forming machine adopts servo control automatic rotating paper suction mechanism, longitudinal shaft transmission structure, barrel cylinder indexing mechanism and gear transmission, with automatic spray lubrication, and double curling mechanism.

Visual inspection system can be installed on the machine as optional. configured to detect the stains, insects, curling mouth cracks and wrinkles in the cup (bowl) curling mouth and internal area from above.

The RD-XLF116w can produce paper cups from 24 ounces to 46 ounces by changing the mold. Applicable to the production of market bowls, instant noodles bowls, soup bowls, etc.



专业 / 高效 / 可靠

Professional / Efficient / Reliable

## 主要技术参数 Technical Data:

纸杯规格Cups Specifications:	24-46oz盎司
纸杯成型尺寸Forming size:	上口直径Top: 100-150mm, 杯底直径Bottom: 75-120mm 成型高度Height: 60-180mm
纸张规格Paper Specifications:	170-350g/m <sup>2</sup> 克重
纸张材料Paper material:	单/双 PE/PLA/涂层
生产速度Speed:	100-130pcs/min 只/分钟
电源Power supply:	380V 50Hz 三相
总功率General Power:	15Kw
气源Gas source:	0.6m <sup>3</sup> /min立方米
重量Weight:	3500Kg



# RD-LB120-3600A

Medium Speed Paper Cup Forming Machine

全自动纵轴纸杯成型机

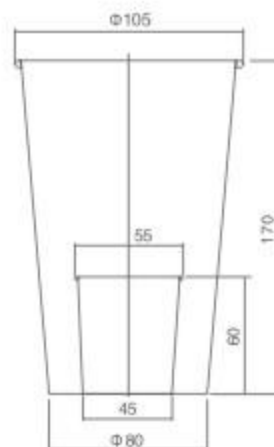
Http://www.nan-da.com  
Http://zhejiang-ruida.en.alibaba.com  
E-mail:nanda@nan-da.com

专业 / 高效 / 可靠  
Professional / Efficient / Reliable

## 简介 DESCRIPTION:

RD-LB120-3600A型全自动纸杯成型机是我公司在多年纸杯机制造经验基础上结合中速纸杯机研发的全新机型,属国内首创专利设备。机架采用矩形管和槽钢焊接,强度大、变形小。整机采用喷淋加油润滑的方式,减低了机器零件的磨损。杯底成型采用拉伸式冲模,杯底成型效果好,从而减少漏水机率。制杯过程PLC控制,光电跟踪故障停机监控系统,伺服控制送底,有杯筒送底,无杯筒不送底。机器人人性化设计,装有安全防护装置,美观、大方,是原三转盘机型理想的更新换代产品。

RD-LB120-3600A medium speed paper cup forming machine is our latest machine which is made based on our manufacturing experience and advanced technology from overseas countries. It is a pioneer equipment in China. The machine comes with rectangle tube and channel steel welding structure, which is stronger and small deformation. Automatic lubrication system, which makes all mechanical parts working much more smoothly. The cup bottom adopts the stretching die which makes the bottom sealing quality better and less leaking percentage. It has PLC control sensor failure detecting system, cup bottom paper feeding controlled by servomotor. Bottom paper will be delivered when cup tube comes, otherwise no bottom paper delivery. The machine has safety guard to protect the people working safely, it is the best choice for making paper cups.



## 主要技术参数 Technical Data:

型号Model	12型	16型	22型	32型
纸碗型号Bowl size (Maximum:高度Height, 上口径Top,杯底直径Bottom)	Height: 110mm 上口径Top:105mm, 杯底直径Bottom:75mm	Height: 139mm	Height: 177mm	Height: 205mm
纸张规格Paper materials:	180-350g/m <sup>2</sup> 单双PE淋膜纸 (single/double PE coating paper)			
生产速度Speed:	50-60pcs/min			
电源Power supply:	380v 50Hz /220 50HZ			
总功率General Power:	8KW			
气源Air source:	0.4m <sup>3</sup> /min			
重量Weight:	2500kg			
包装尺寸Packing Dimensions:	2730x1460x1800mm (LxWxH)			

Option: Online Handle Applicator  
选配: 带把装置



# RD-LB120-3600B

Medium Speed Paper Bowl Forming Machine

纵轴型/E型纸碗成型机

Http://www.nan-da.com  
Http://zhejiang-ruida.en.alibaba.com  
E-mail:nanda@nan-da.com

**专业 / 高效 / 可靠**  
Professional / Efficient / Reliable

## 简介 DESCRIPTION:

RD-LB120-3600B纵轴型/E型纸碗成型机是一款全自动的纸碗成型设备，通过多分排自动送纸、纸张防退装置（保证定位准确）、超声波焊接、机械手纸筒转移、注油、冲底、折底、预热、滚花、卸碗等连续工序，可稳定生产各种不同规格纸碗。

E型纸碗成型机是采用开放式间歇分度机构、齿轮传动，是我公司自主研发的经过全面技术改进提高整机稳定性能的纸碗设备。

RD-LB120-3600B medium speed paper bowl forming machine is our latest machine, which is made base on our manufacturing experience and advanced technology from oversea countries, it is a pioneer equipment in China. The machine comes with rectangular tube and channel steel welding structure, which is stronger and small deformation, automatic lubrication system, which makes all mechanical parts working much more smoothly. The bowl bottom adopts the stretching die which make the bottom sealing quality better and less leaking percentage. It has PLC control, sensor failure detecting system, bowl bottom paper feeding controlled by servo motor, bottom paper will be delivered when bowl tube comes, otherwise no bottom paper delivery. The machine has safety guard to protect the people working safely, it is the best choice for making paper bowls.



## 主要技术参数 Technical Data:

型号Model	12型	16型	22型	32型
纸碗型号Bowl size (Maximum:高度Height, 上口径Top,杯底直径Bottom)	Height:110mm 上口径Top:150mm, 杯底直径Bottom:128mm	Height:139mm	Height:177mm	Height:205mm
纸张规格Paper materials	180-350g/m <sup>2</sup> 单双PE淋膜纸 (single/double PE coating paper)			
生产速度Speed	50pcs/min ( E型速度: 55pcs/min )			
电源Power supply	380v 50Hz /220v 50Hz			
总功率General Power	9KW			
气源Air source	0.4m <sup>3</sup> /min			
重量Weight	3000kg			
包装尺寸Packing Dimensions	2900x1560x1800mm ( LxWxH )			



# RD-XT-200

High Speed Paper Bucket Machine(Open Cam System)

新款高速纸桶成型机

Http://www.nan-da.com  
Http://zhejiang-ruida.en.alibaba.com  
E-mail:nanda@nan-da.com

## 简介 DESCRIPTION:

RD-XT-200型新款纸桶机是采用开放式分度结构、齿轮传动、纵轴结构，从而提高设备生产速度。整机采用自动润滑系统，降低了机器零部件的磨损，提高设备生产稳定性。该设备适用于生产KFC、沙拉碗、爆米花桶。

RD-XT-200 popcorn cup machine comes with open intermittent indexing cam mechanism, gear transmission, longitudinal axis structures. The whole machine adopts automatic lubrication system, which makes all mechanical parts working much more smoothly.

It is suitable for making the KFC, salad bowl, and popcorn cup.



## 主要技术参数 Technical Data:

纸杯规格Cups Specifications	28-190OZ
纸规格Paper Specifications	180-500g/m <sup>2</sup>
速度Speed	35-50 pcs/min
纸杯宽度Paper cup top diameter	120-220mm
纸杯高度Paper cup height	100-200mm
重量Weight	5000kg
气源Gas source	1m <sup>2</sup> /min
总功率General Power	13Kw
电源电压Power supply	220v/380v, 50Hz
包装尺寸Packing Dimensions	3620x2160x2100mm



专业 / 高效 / 可靠  
Professional / Efficient / Reliable



# RD-ZT-200

Automatic Paper Bucket Machine

全自动纸桶成型机

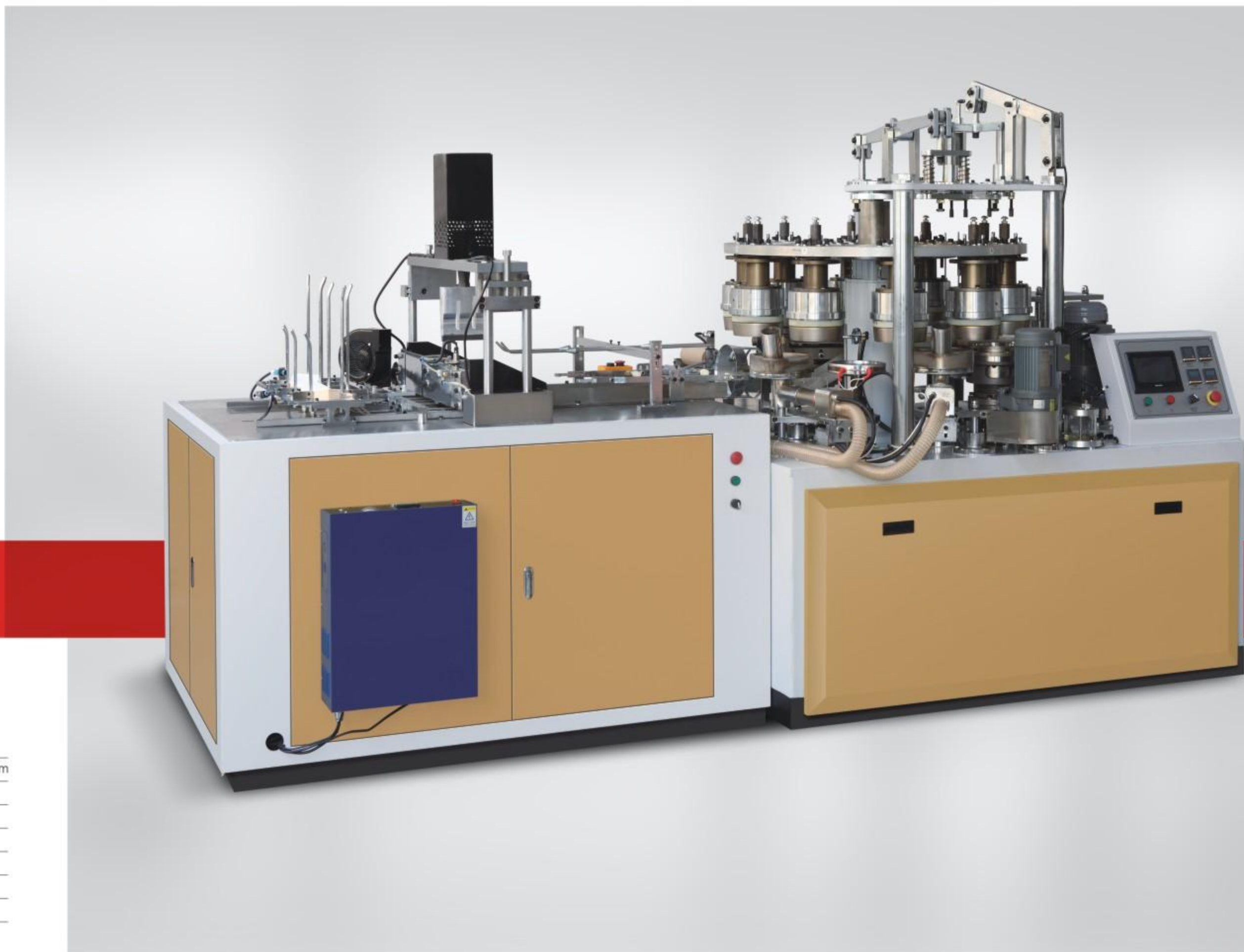
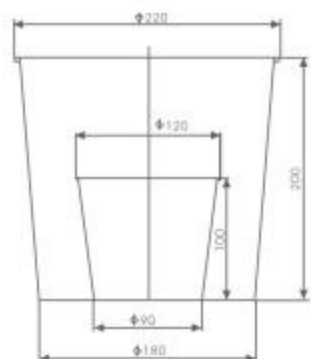
Http://www.nan-da.com  
Http://zhejiang-ruida.en.alibaba.com  
E-mail:nanda@nan-da.com

**专业 / 高效 / 可靠**  
Professional / Efficient / Reliable

## 简介 DESCRIPTION:

RD-ZT-200型全自动高速纸桶成型机属于RD-LB120-3600A型全自动高速纸杯成型机系列机型,它适用于纸桶产品系列,设备工作稳定、可制作高度达200mm的纸桶,是制作纸桶的首选机型,与国际纸杯厂家的纸桶机处于相同的技术水平。

RD-ZT-200 Automatic paper bucket machine belongs to RD-LB120-3600A high speed paper cup machine series, suitable for making popcorn cups, good performance available for popcorn cups with max height of 200mm, it is the best choice for making popcorn cups.



## 主要技术参数 Technical Data:

纸杯规格Specification of paper cup	28-190盎司(ounce) 定制高度H 300mm
纸杯材料Paper material	180-500g/m <sup>2</sup>
生产能力Speed	25-35只/分(pcs/min)
电源总功率Total power	380V 50Hz 13Kw
气源Air consumption	1m <sup>3</sup> /min
重量Weight	4500kg
包装尺寸Packing Dimensions	3550x2160x2100mm



# RD-ZZW60

Paper Bowl Forming Machine

中速纸碗成型机

Http://www.nan-da.com  
Http://zhejiang-ruida.en.alibaba.com  
E-mail:nanda@nan-da.com

**专业 / 高效 / 可靠**  
Professional / Efficient / Reliable

## 简介 DESCRIPTION:

RD-ZZW60是我司根据市场浅盘沙拉碗研发的中速大纸碗成型设备，采用开放式间歇分度机构，齿轮传动，自动加油润滑传动，二次卷边机构，提高了纸碗成型稳定性。

RD-ZZW60可以通过更换模具生产纸杯的尺寸从500ml到1300ml容量纸碗，适用于生产市场碗，泡面碗，汤碗等。

RD-ZZW60 Paper bowl machine is developed by our company, to make the salad bowl which at larger size and shallow. It is at speed 60 to 70pcs per minute.

The machine uses an open intermittent indexing mechanism, gear transmission, automatic oil lubrication transmission, and secondary top curling mechanism to improve the stability of paper bowl forming.

RD-ZZW60 can be used to produce the bowl at capacity from 500ml to 1300ml by changing the mold, and is applicable to the production of market bowls, instant noodles bowls, soup bowls, etc.



## 主要技术参数 Technical Data:

纸杯规格Cups Specifications	500ml-1300ml
纸杯成型尺寸Forming size	上口直径Top: 150-165mm, 杯底直径Bottom: 120-145mm 成型高度Height: 110mm
纸张规格Paper Specifications	170-350g/m <sup>2</sup> 克重
纸张材料Paper material	单/双 PE/PLA/涂层
生产速度Speed	60-70pcs/min 只/分钟
电源Power supply	380V 50Hz 三相
总功率General Power	15Kw
气源Gas source	0.6m <sup>3</sup> /min立方米
重量Weight	3500Kg



# RD-CY-90

Tea Filling Machine

隐茶杯热封机

Http://www.nan-da.com  
Http://zhejiang-ruida.en.alibaba.com  
E-mail:nanda@nan-da.com

**专业 / 高效 / 可靠**  
Professional / Efficient / Reliable

## 简介 DESCRIPTION:

RD-CY-90型热封机是一种全自动定量茶叶热封装设备，该机主要特点是在纸杯底部自动定量放入茶叶，盖上无纺布通过热封装热封，工作时无噪音，稳定可靠，目前该机是国内外最新设备。

This machine is an automatic tea filling equipment with heater-sealing system you can set the quantity of tea filling. The main characteristics is automatic tea filling into the cup bottom, die cutting and sealing non-woven fabric by heater-sealing system. When machine is working, low noise, stable and reliable. This is a latest equipment for tea filling at home and abroad.



## 主要技术参数 Technical Data:

生产能力 Speed	35-50只/分(pcs/min)
茶叶容量 Tea capacity	1.5-3克/只(g/pcs)
纸杯规格 Cup size	7-16盎司(ounce)
电源电压 Supply voltage	380v 220v 50hz
总功率 Total power	1.5kw
整机重量 Weight	500kg
整机外形 Dimensions	1.2x1.1x1.6m





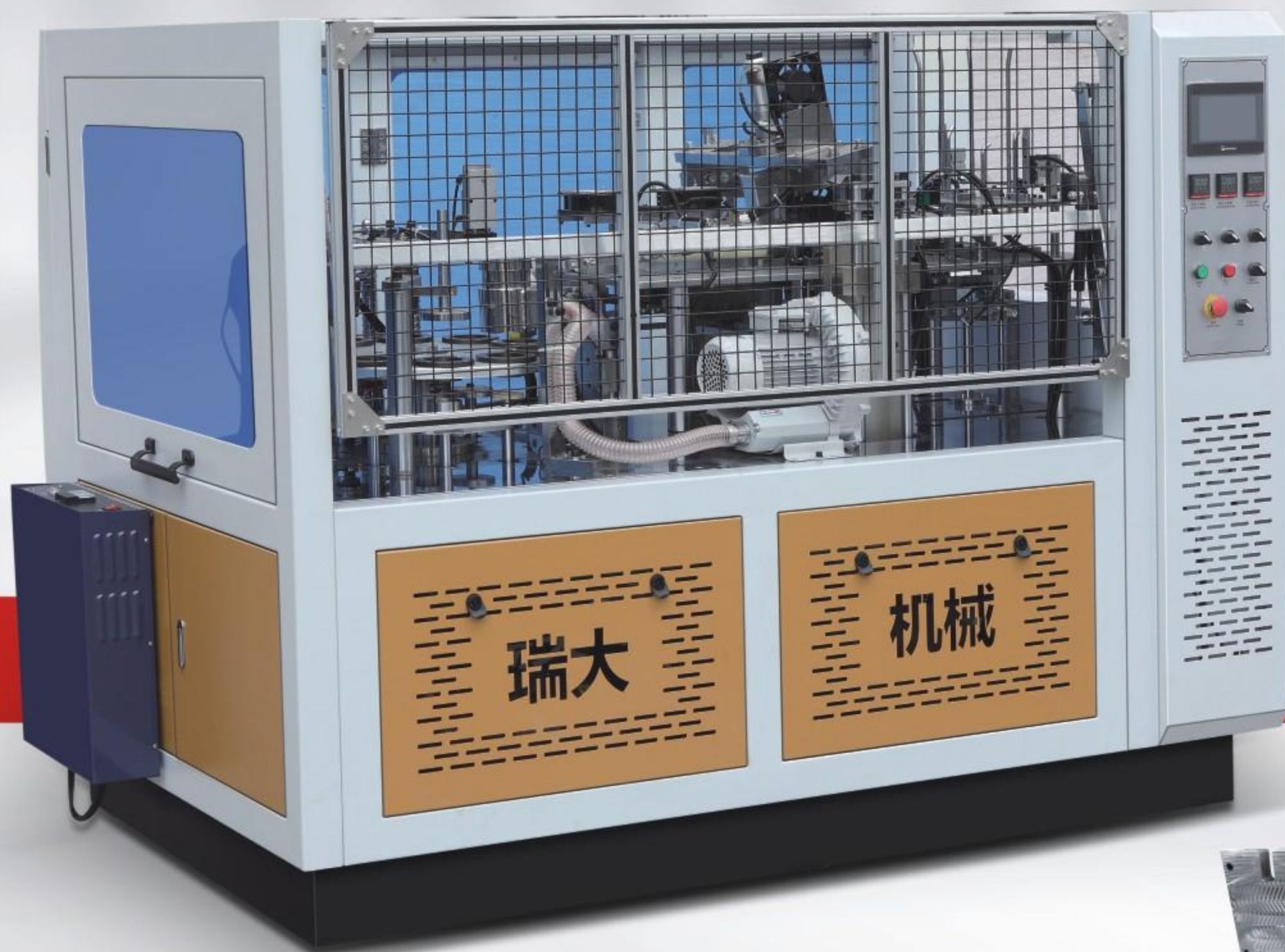
# RD-100T

New Model High Speed Paper Double Wall Cup Machine

新型高速贴面机

Http://www.nan-da.com  
Http://zhejiang-ruida.en.alibaba.com  
E-mail:nanda@nan-da.com

**专业 / 高效 / 可靠**  
Professional / Efficient / Reliable



## 简介 DESCRIPTION:

RD-100T中空贴面机是采用开放式分度结构、齿轮传动、纵轴结构，合理分布各个功能总成。从而提高设备生产速度。整机采用自动润滑系统，降低了机器零部件的磨损，提高设备生产稳定性。同时他是一款多功能纸杯外包设备：可生产中空杯、瓦楞杯、实贴杯。该设备适用于双层奶茶杯、双层咖啡杯，瓦楞杯。

RD-100T double wall cup machine comes with open intermittent indexing cam mechanism, gear transmission, longitudinal axis structures. The whole machine adopts automatic lubrication system, which makes all mechanical parts working much more smoothly. It can make the double wall and ripple wall on the same machine, suitable for making coffee cup, tea cup with two layer.



Option: Online Embossing  
选配：压花装置

## 主要技术参数 Technical Data:

纸杯规格Cups Specifications	6-16oz 16-22oz
纸张规格Paper Specifications	180-350g/m <sup>2</sup>
生产速度Speed	80-100pcs/min
电源Power supply	380v 50Hz /220v 50Hz
总功率General Power	6KW
气源Gas source	0.3-0.5m <sup>3</sup> /min
重量Weight	2400kg
包装尺寸Packing Dimensions	2600x1360x1800 mm
	3200x1360x1800 mm (压花) (embossing)

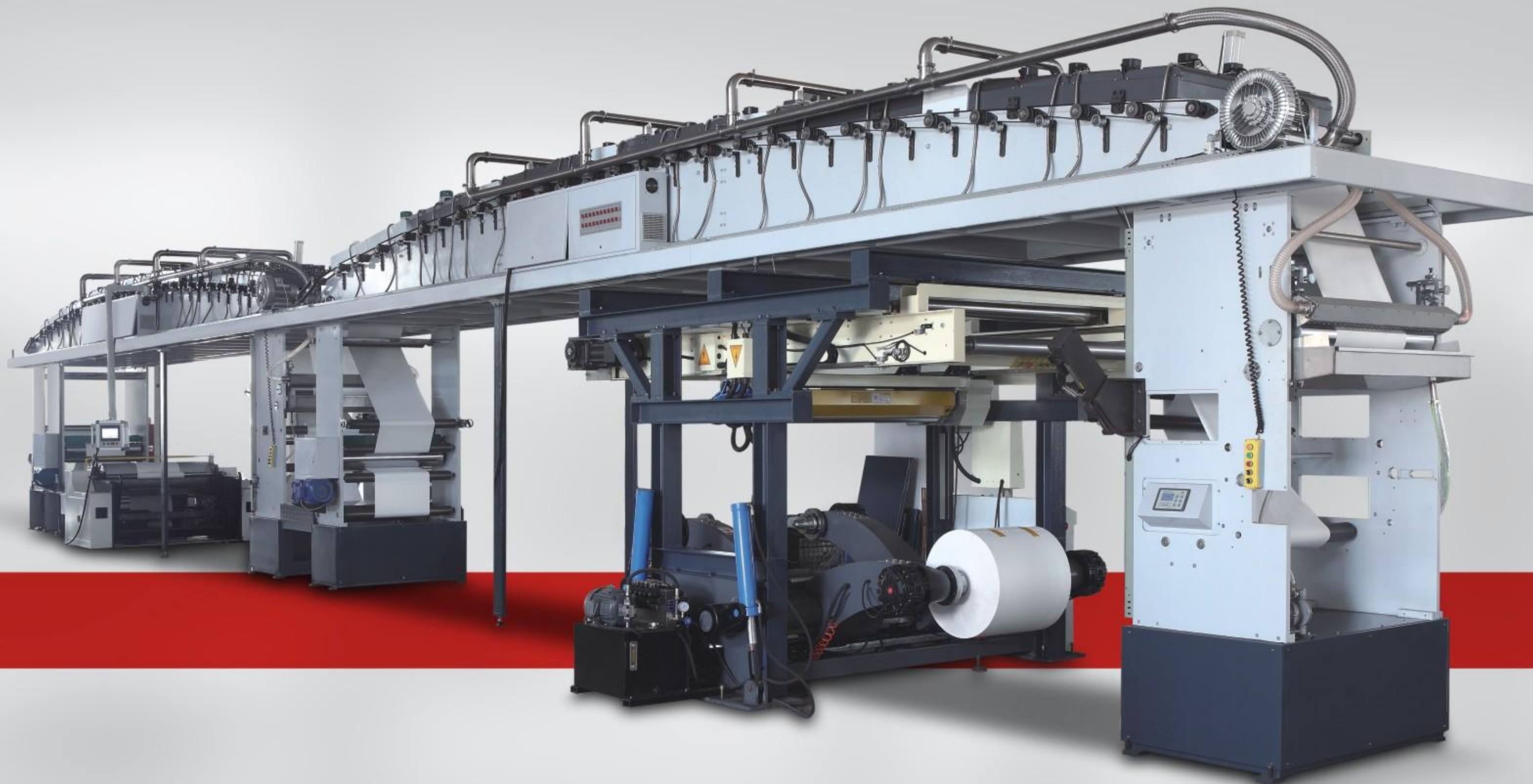


# RD-TBJ

Non Plastic Coating Machine  
涂布机

[Http://www.nan-da.com](http://www.nan-da.com)  
[Http://zhejiang-ruida.en.alibaba.com](http://zhejiang-ruida.en.alibaba.com)  
E-mail:nanda@nan-da.com

**专业 / 高效 / 可靠**  
Professional / Efficient / Reliable





# RD-TBJ

Non Plastic Coating Machine

涂布机

Http://www.nan-da.com  
Http://zhejiang-ruida.en.alibaba.com  
E-mail:nanda@nan-da.com

## 简介 DESCRIPTION:

1. 整机采用4变频电机控制，整机张力（涂布、烘箱、牵引、收卷）采用PLC系统自动控制，通过人机界面触摸屏控制及显示，提高整机张力的可靠性。
2. 放料架独立，采用磁粉自动张力控制。
3. 网纹涂布方式，涂布刮刀轴采用重型双轴式机械独立移动，刮刀调节方式为手动带气动式，角度任意调节，涂布量取决于网纹辊目线，不同的涂布量可换不同目线的网纹辊。
4. 烘箱为20米分6段独立控温，加热采用导热油循环加热，热风进入式干燥系统，可调式内循环吸排气装置，进、排风风力强劲，干燥彻底。
5. 烘箱内导轮采用独立电机带动与主机同步，传动采用同步带轮传动式，减免材料拉伸和变形，气缸开顶式烘箱及穿膜操作平台，使操作工人便于工作。
6. 涂布辊---牵引钢辊中间张力同步采用浮动摆臂式由PLC自动控制。
7. 自动计米计速控制装置。
8. 纠偏采用EPC气敏式对边机，为了材料收卷更整齐。
9. 收放采用键子式气胀轴，为了装卸料操作方便、快捷。
10. 高精度上压式牵引装置，钢辊冷却采用水循环式，通过冷却辊使膜更平整、更能达到冷却效果。

1. The whole machine is controlled by 4 frequency conversion motor, and the tension (coating, oven, traction, winding) of the whole machine is automatically controlled by PLC system. The reliability of the tension of the whole machine is improved through the control and display of the touch screen of the human-computer interface.
2. The discharging rack is independent and adopts magnetic powder automatic tension control.
3. Anilox coating method: the coating scraper shaft adopts heavy double axis mechanical independent movement, the scraper adjustment mode is manual with pneumatic, and the angle can be adjusted arbitrarily. The coating amount depends on the mesh line of the anilox roll, and the anilox roller with different mesh line can be replaced with different coating amount.
4. The oven is 20 meters in length, and the temperature is controlled independently in six sections. The heating adopts heat transfer oil circulation heating, hot air entering drying system and adjustable internal circulation suction and exhaust device. The wind power of inlet and exhaust air is strong and the drying is complete.
5. The guide wheel in the oven is driven by an independent motor to synchronize with the host machine. The synchronous belt wheel drive is used to reduce the material tension and deformation. The cylinder top opening type oven and membrane piercing operation platform make it easy for operators to work.
6. The intermediate tension of coating roller and traction steel roller is synchronous, which is controlled by PLC automatically.
7. Automatic meter and speed control device.
8. EPC gas sensitive edge aligning machine is adopted for deviation correction, so as to make the material winding more orderly.
9. Key type air expansion shaft is adopted for retraction and release, which is convenient and fast for loading and unloading.
10. High precision up pressure type traction device, steel roller cooling adopts water circulation type, through the cooling roller, the film is smoother and the cooling effect is better achieved.

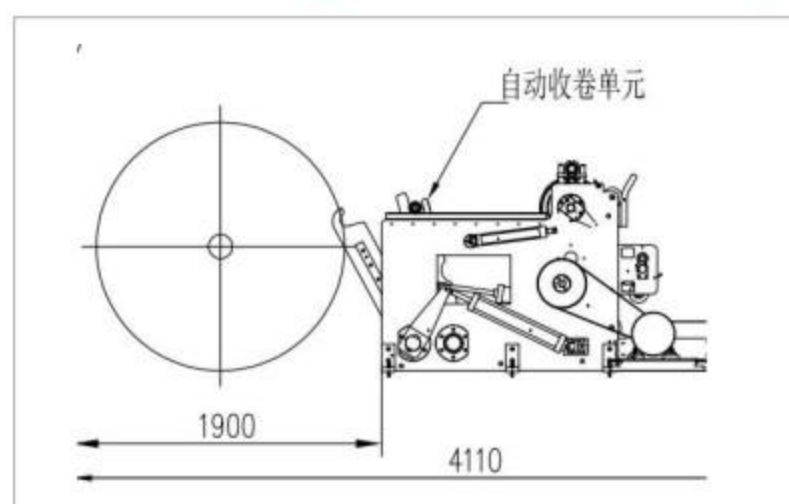
## 涂布机技术参数The Main Parameter:

Non stop winding equipment		
机器型号	Model	RD-TBJ
涂布方式	Coating method	钢棍涂布 Coating by roll
最大纸张幅宽	Max paper width	W 1100mm
收放卷形式	Re/unwinding	不停机收放卷自动接纸 Automatic paper pick-up and unwinding without stopping the machine
最大收放卷直径	Max winding diameter	Φ 1100mm
纸张厚度	Paper thickness	30~350g
烘箱长度	Length of oven	10米Mter*2
加热方式	Heating mode	电加热 electric heating
工作速度	Speed	70-80m/min
用气量	Gas consumption	0.5Mpa,0.1m <sup>3</sup> /min
总功率	Power required	18kw (380 V AC3 Φ50 HZ)
机械体积	Dimension(L x W x H)	26000 x 2200 x 5500mm
机械重量	Weight machine(Kgs)	30000kg

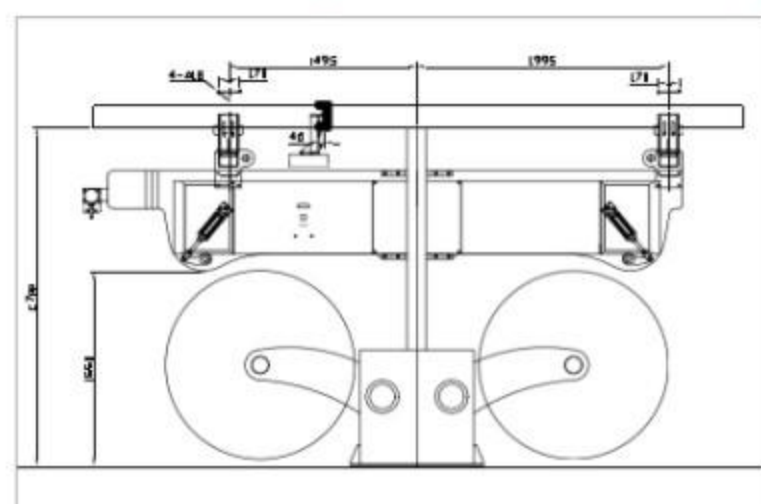
## 伺服接纸机技术参数Technical parameters of servo feeder

不停机收放卷设备		
机器型号	Model	SL-1100 型 / FL-1100 型
最大张幅宽	Max paper width	W 1100mm
最大收放卷直径	Max winding diameter	63 inch or Φ 1524mm
纸张厚度	Paper thickness	30~350 g
用气量	Gas consumption	0.5Mpa,0.1m <sup>3</sup> /min
张力精度	Precision of tension	200-500N ± 2N 无级调节
总功率	Power required	18kw (380 V AC3 Φ50 HZ)
不停机换卷速度	speed	≤200 m/min
操作方向	Operate direction	以进纸方向右手边操作面Right hand operation surface in feed direction
机械体积	Dimension(L x W x H)	放料unwinding 6500 x 3200 x 2690mm 收料Rewinding 3000x2200x1500mm
机械重量	Weight machine (Kgs)	30000kg 2800
气胀轴 3 英寸	Air shaft 3 inch	最大卷材承重Max. weight 1800Kg

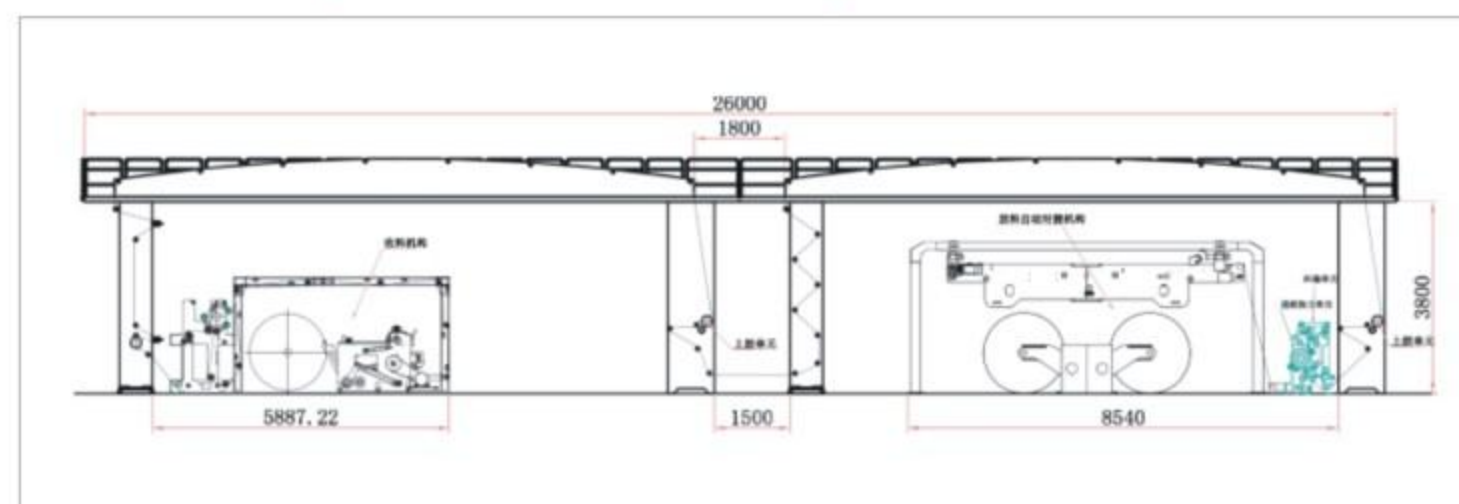
收卷机示意图Diagrammatic of rewinding



放卷机示意图Diagrammatic of unwinding



涂布机示意图Diagrammatic of Glue coating machine





# RD-FBJ70

High Speed Square/Rectangle Cup Forming Machine

中速方形杯成型机

Http://www.nan-da.com  
Http://zhejiang-ruida.en.alibaba.com  
E-mail:nanda@nan-da.com

**专业 / 高效 / 可靠**  
Professional / Efficient / Reliable



## 简介 DESCRIPTION:

RD-FBJ70中速方形杯成型机是一种可生产“四方/长方形”的专业制造设备。采用自动旋转吸纸机构，方形定制成型模具，整机敞开式齿轮传动，底部通过leister加热挤压式成型。适用于制作方底圆口、方底方口、椭圆底这三种造型独特杯子。

RD-FBJ70 High speed square/rectangle cup forming machine is a professional equipment to produce the container at "square/rectangular".

The machine adopts automatic rotary paper suction mechanism, the square customized molding die, the whole machine is driven by open gear, and the bottom is heated and extruded by hotair. It is suitable for making special cups, such as square bottom and round top, square bottom and square top, and oval bottom.



## 主要技术参数 Technical Data:

纸杯规格Cups Specifications:	6-28oz盎司
纸杯成型尺寸Forming size:	上口直径Top : 60-100mm 杯底直径Bottom : 40-75mm 成型高度Height : 60-180mm
纸张规格Paper Specifications:	170-350g/m <sup>2</sup> 克重
纸张材料Paper material:	单/双 PE/PLA/涂层
生产速度Speed:	65-75pcs/min 只/分钟
电源Power supply :	380V 50Hz 三相
总功率General Power :	15Kw
气源Gas source:	0.6m <sup>3</sup> /min立方米
重量Weight:	3200Kg



# NDS-1000B

4-6 Colors Flexo Printing Machine

4-6色 柔版印刷机

Http://www.nan-da.com  
Http://zhejiang-ruida.en.alibaba.com  
E-mail:nanda@nan-da.com

**专业 / 高效 / 可靠**  
Professional / Efficient / Reliable



## 简介 DESCRIPTION:

NDS-1000B型柔版印刷机是一种既经济又环保的纸杯片印刷机。此机适用于单面淋膜和双面淋膜纸，同时也适用于PVC、OPP等材料。它采用水溶性油墨，带自动纠偏和电晕设备，用户可以通过换印辊和网纹辊来印刷不同尺寸和色泽，并以此达到广大客户的印刷需求。我们可以为客户定制4-6色的不同规格的印刷机。

This is an economical and environmental friendly printer for printing cup papers suitable for both single and double side PE coated paper, meantime, it is suitable for printing on PVC, OPP ect. It uses water based ink, it has web guide and corona treatment, as optional you can get different cup printing size and quality by changing printing cylinders and anilox rollers, so the printing quality can reach your demand.

## 主要技术参数 Technical Data:

印刷速度(Max. printing speed)	60m/min
可印色数(Printing color)	4-6色(colors)
卷筒纸最大宽度(Max. paper roll width)	1000mm
最大印刷宽度(Max. printing width)	990mm
最大放卷直径(Max. unwinding diameter)	1200mm
最大收卷直径(Max. rewinding diameter)	1200mm
印刷周长(Printing repeat)	175-500mm
套准精度(Registering precision)	±0.15mm
总功率(Power)	8Kw
包装尺寸(Packing Dimensions)	3260x2160x2450mm



# RD-CQ-1000

Automatic Punching and Die Cutting Machine  
卷筒纸模切机

Http://www.nan-da.com  
Http://zhejiang-ruida.en.alibaba.com  
E-mail:nanda@nan-da.com

**专业 / 高效 / 可靠**  
Professional / Efficient / Reliable

## 简介 DESCRIPTION:

RD-CQ-1000型卷筒纸模切机采用变频调速、伺服送料、光电跟踪实现高速冲切整理，相比传统压滚机要高速省时省料，经济效益可观。

This punching and die cutting machine adopts micro-computer to regulate the speed, servo motor to feed paper and use the photo sensor to cut and collect blanks at a high speed. It can die cutting by setting certain length or following color marks. Compared with the traditional Hydraulic machine, it is much more efficient time-saving, material-saving, and much more profitable.



## 主要技术参数 Technical Data:

型号(Model)	RD-CQ-1000
外型尺寸(Dimensions)	2850x1800x2000mm
重量(Weight)	1500kg
速度(Speed)	200-280strokes/min
纸张宽度(Paper width)	1000mm
控制系统(Control system)	AC-Servo Motor
功率(Electric Power)	5kw
包装尺寸(Packing Dimensions)	2960x1800x1900mm



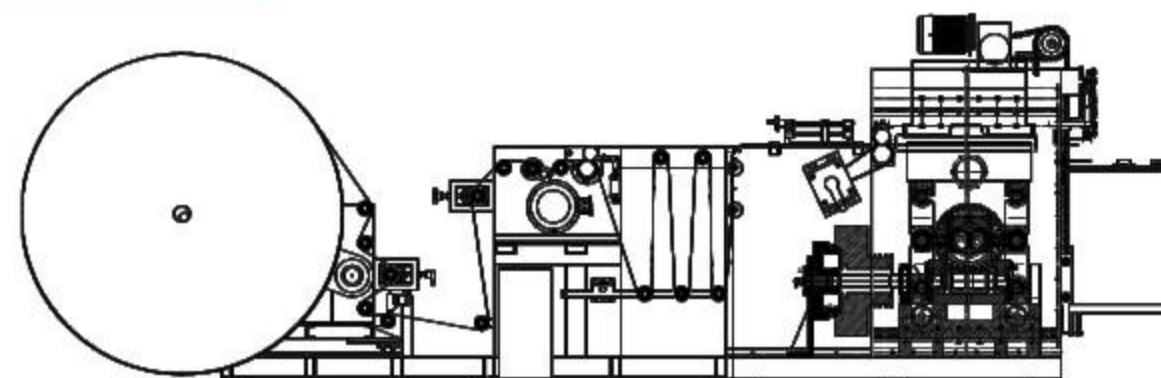
# RD-MQ-930

High Speed Automatic Reel Paper Die-Cutting Machine

卷筒纸自动模切机

Http://www.nan-da.com  
Http://zhejiang-ruida.en.alibaba.com  
E-mail:nanda@nan-da.com

机器结构简图



## 简介 DESCRIPTION:

RD-MQ-930型卷筒纸高速自动模切机是压制裁切各种普通纸张、淋膜纸张的专业设备，适用于印刷、包装、纸杯等纸容器行业生产之用。卷筒纸在步进电机的牵引下，送入平乐的模切装置，送进量可通过屏幕设置，方便准确，白纸和印刷后的纸张均可模切。离合器采用气动离合，快速可靠。

RD-MQ-930 high speed automatic reel paper die-cutting machine is the professional equipment which uses for cutting various kind of popular paper and PE coated paper be applicable to printing packaging, paper cup and other to the die-cutting area, cutting length can be setted in touch-screen, it is convenient and precise. And it can die-cut the blank paper and printed paper. Clutch is pneumatic clutch, be fast and reliable.



专业 / 高效 / 可靠

Professional / Efficient / Reliable

## 主要技术参数 Technical Data:

机型	Model	RD-MQ-930
压痕区最大面积	Press mark max. area	930×500
压痕切线长度	Press cut line length	<250mm
工作速度	Working speed	80-120次/分 (time/min)
主电机功率	Main motor power	7.5kw
适用原纸	Applicable paper	150-450g/m <sup>2</sup>
气源要求	Air source	1.0m <sup>3</sup> /min; 0.8Mpa(客户自配)customer-owned
设备重量	Weight	8T
包装尺寸	Packing Dimensions	1830x1900x2000mm, 3200x1900x2000mm



# RD-400Y

Automatic Paper Dish/Plate Forming Machine

新款液压纸盘/碟成型机

Http://www.nan-da.com  
Http://zhejiang-ruida.en.alibaba.com  
E-mail:nanda@nan-da.com

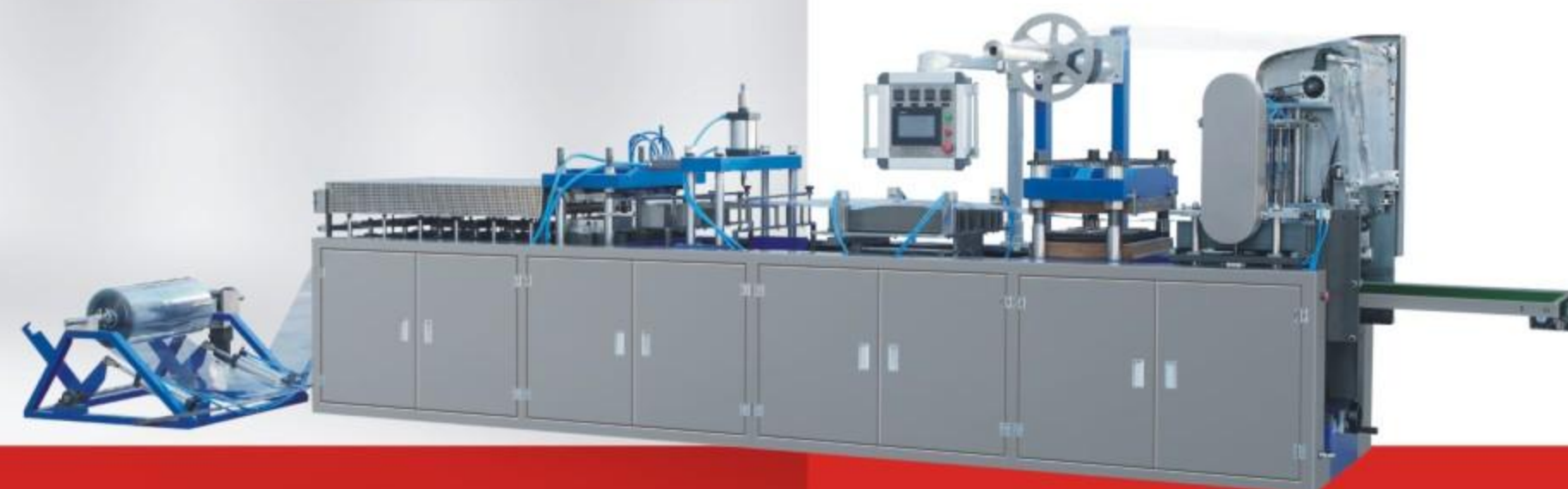
# RD-450S

Cup Lid Forming Machine

杯盖机

专业 / 高效 / 可靠

Professional / Efficient / Reliable



## 简介 DESCRIPTION:

RD-400Y型新款液压纸盘/碟成型机，具有全自动气动吸纸送纸、加热成型、自动出碟以及恒温控制、自动计数等功能，通过更换模具生产各种规格的圆形纸碟、方形纸碟以及异形纸碟(盘)。

RD-400Y Hydraulic Paper Plate Forming machine(the new model), comes with paper feeding, forming, stacking automatic, and has average heating, counting system. The machine is the ideal equipment to produce various specifications of paper plate, square paper plate and other special-shaped paper plates by changing the mold.

## 主要技术参数 Technical Data:

纸碟规格	Paper dish specification	4-11 Inch, 深度depth≤55mm
纸质材料	Paper material	180-1000克/平方米 (原纸、白板纸、白卡纸、铝箔或其它) (original paper, white paperboard, white cardboard, aluminum foil or others)
生产速度	Speed	55-75只/分钟
电源要求	Electrical supply	380V 50Hz/220V 50Hz;
总功率	General power	4 KW
机器重量	Weight	1155KGS
外形尺寸	Packing Dimensions	1800 x 1200 x 1600 mm(L*W*H)
气源	Gas source	0.5m³/min

## 简介 DESCRIPTION:

本机可使用PS、PVC、PET、OPP、PE等各种塑料材质，除PP外，可更换模具制作直径30-130mm的盖子。

主要工艺包括预热-成型-冲孔-模切。

This machine can use all most all kinds of plastic material, like PS, PVC, PET, OPP, PE and so on, but except PP, you can make lids with diameter 30-130mm by changing mould.

The main process including Preheating-Forming-Punching-Die cutting.

## 主要技术参数 Technical Data:

生产速度	Speed	20-45 strokes/min
杯盖直径	Diameter of Lids	30-130mm
最大放料直径	Max roll diameter	540mm
最大放料宽度	Max width of material in Roll	460mm (More cavities)
最大成型深度	Max Forming Depth	26mm
总功率	Total Power	3kw
耗气量	Air Consumption	0.2cbm/min
工作气压	Air Pressure	0.4-0.7mpa
包装尺寸	Dimensions of Machine	2600mm x 1100mm x 1700mm
设备重量	Weight	850kgs



# RD-JC-180

Automatic Paper Cup Detector

全自动纸杯检测机

Http://www.nan-da.com  
Http://zhejiang-ruida.en.alibaba.com  
E-mail:nanda@nan-da.com

**专业 / 高效 / 可靠**  
Professional / Efficient / Reliable

## 简介 DESCRIPTION:

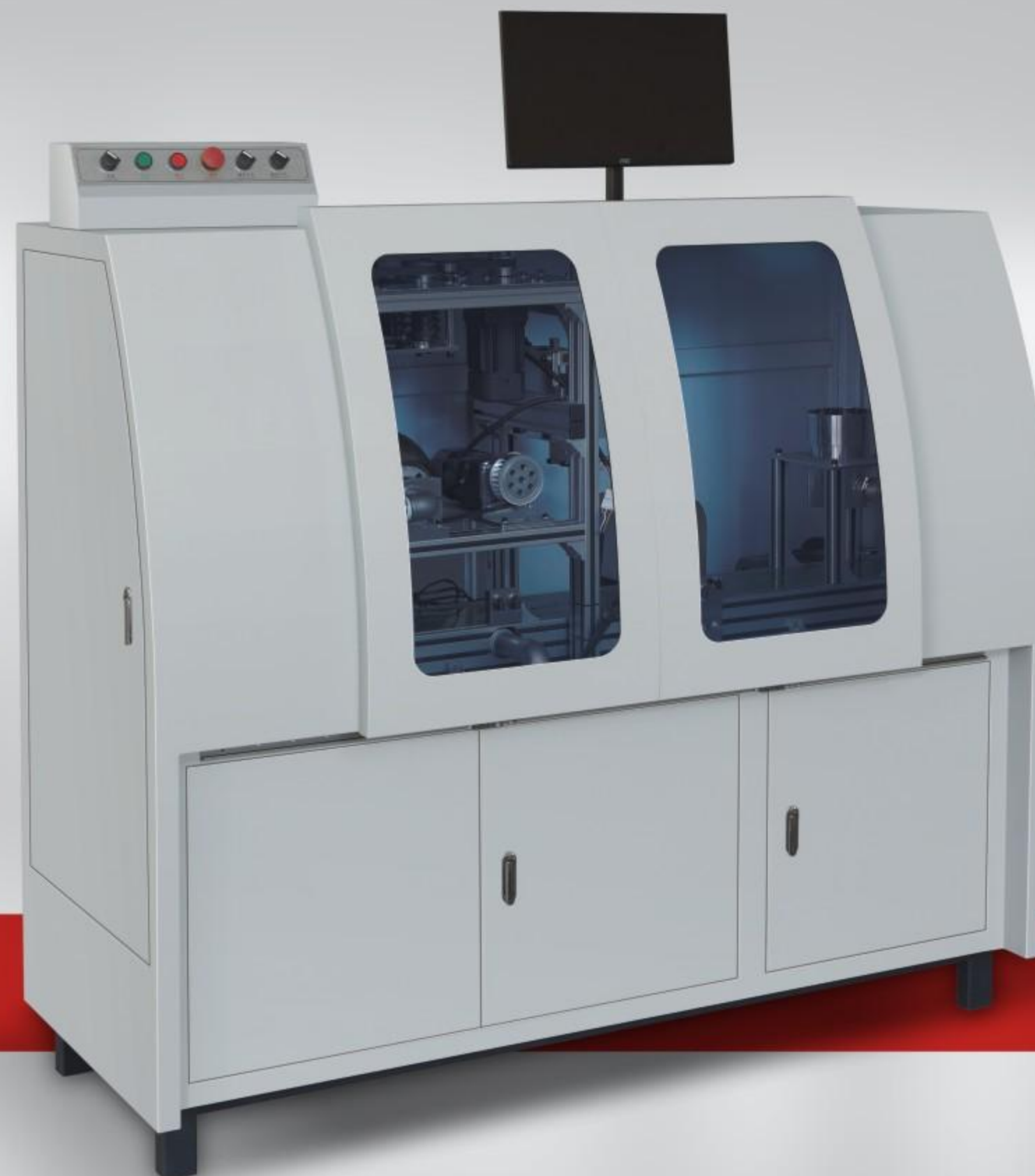
RD-JC-180全自动纸杯检测机是我公司在多年的纸杯纸碗机制造经验基础上,根据市场需求进行研发,基于生产实践要求,采用先进的图像视觉检测技术而研发出的纸杯检测设备。实现对运动中的纸杯纸碗进行杯口、杯底实时检测。本系统设计满足客户的各种需求,操作界面设计合理、人性化,对多种检测产品的更换采用一键式软件操作,可对生产出的产品进行污渍、缺损、形状、尺寸、翘边、塌底等多方面检测,产品质量标准化,检测结果可靠、稳定,是目前国内最具领先的检测设备。

RD-JC-180 Automatic Paper Cup Detector is our latest machine for inspecting paper cups quality based on our years' manufacturing experience. It adopts advanced image visual detection technology. It detects the cup top and bottom quality when the machine is running. The design is reasonable and humanized. It can detect all kinds of problems including stains, defects, shapes, sizes, deformations, etc. It is the best choice for detecting cup quality in China.

## 产品技术功能 TECHNICAL DATA:

- 1、分别为杯口和杯底两个部分进行检测。
- 2、杯口检测包括污渍、缺损、翘边、形状不合格。
- 3、杯底检测包括污渍、卷口、缺陷、穿底、翻底、塌底等。
- 4、界面上同时显示杯口和杯底检测情况,对杯口和杯底的检测结果进行统计。
- 5、提供剔除控制信号。
- 6、检测精度可调。
- 7、检测到质量问题时发出控制信号,用于控制剔除装置。

1. Detection including two parts: Cup top and cup bottom
2. Cup top detection including stain, defect, deformation.
3. Cup bottom detection including stain, folding, defect no bottom, deformation.
4. The main operation interface shows the status of detection for cup top and cup bottom, and shows results of statistics.
5. Providing rejection control signal
6. Detection accuracy adjustable.
7. When there is a cup quality issue, the machine will give a control signal to the control rejection device.



## 主要技术参数 Technical Data:

产品规格	Production Specification	4oz-30oz
产品速度	Production Speed	180-190pcs/min
耗气量	Air Consumption	0.2-0.4cbm/min
机器尺寸	Machine Dimensions	1600 x 600 x 1245 mm
机器重量	Weight	500KGS



# QZB

Automatic Paper Cup Packing Machine  
全自动纸杯包装机

Http://www.nan-da.com  
Http://zhejiang-ruida.en.alibaba.com  
E-mail:nanda@nan-da.com

**专业 / 高效 / 可靠**  
Professional / Efficient / Reliable



### 主要配置: Main configuration:

- 1.主控:采用PLC可编程控制器, 触摸屏人机界面, 使操作更为简便
- 2.送膜:与高台纸杯机联机时间分组设定供长, 更加省膜并包装美观
- 3.封切方式:采用合理的机械结构和气动执行使切口率度好, 速度快
- 4.安全装置:在设备上有危险性的均装有安全保护装置
- 5.主要气动元件均采用台湾著名品牌
- 6.主要常电均采用国际名牌

- 1.Main control: the use of PLC programmable controller, touch type man-machine interface, make the operation more convenient
2. Film feeding line: with more than one paper cup machine set when the line length, film and more beautiful packing
- 3.Seal cutting way: adopt reasonable mechanical structure and pneumatic implement make the cut of the cut is good, the speed is fast.
- 4.Safety devices:safety protection devices are installed on the equipment
5. Main pneumatic components Taiwan famous brand.
- 6.Major electricity international brand.



### 简介 DESCRIPTION:

全自动纸杯包装机——解决了灰尘及指纹、头发等二次污染的风险, 这是在手工作业的一个常见问题。并大大的减少直接劳动力与降低包装材料成本, 使包装效果更加美观。是现代化生产纸杯厂家的必备设备, 是机器代替人的最佳选择! 具有自动送膜、打批有本色、括算路、单管列合基等性能, 可即导名合(号装4台)堆坏机群机成全自动生产换, 联续生产可根实纸杯大小而膜长自动调节。出林可以自动分举输关军指定的纸箱里, 还可以加装康码提在包装修上的生产日期及型号批号。

Automate naarcun acng machinove h dundfinaarprinsThesk of acondary oollution oheir. This is i the moniai operation ofcomman problem. And greath reduce the directaborforce and reduce the cost ofpackagino materiais. To make oackagino more besutu. is a necessary equipmen! for moderm production af papermanufacturers, is the best chaics to repiace the machineWth afomatic filmfeedingperloraedechaustThecolo markrackingfunction ofsingle and double packing. With multiple (up to d) papurcup machine anline fulh automatic productionine, prodctonine can be according to the cup size film automatio regulation. a cup canautomaticcasifionransporedothe specied boxyoucanasoinisal spurts the code machine in the packaging bag spray productiondate and tyoe.batch number.

### 主要技术参数 Technical Data:

包装速度	Packing speed	20 Bags/min
包装口径	Packing diameter	A: Φ60-Φ95mm,
包装长度	Packing length	Max. A:520mm B:650mm
包装膜材料	Packaging film materials	HDPE.LDPE.PP.POF
包装膜厚度	Packaging film thickness	15um-40um
机器总功率	General power	4.5KW
电源电压	Supply voltage	3 phases, 380V ± 10%, 50HZ
气源	Air consumption	0.6MPa
机器重量	Machine weight	700kgs